

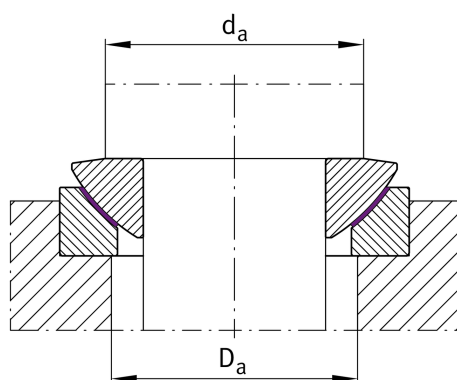
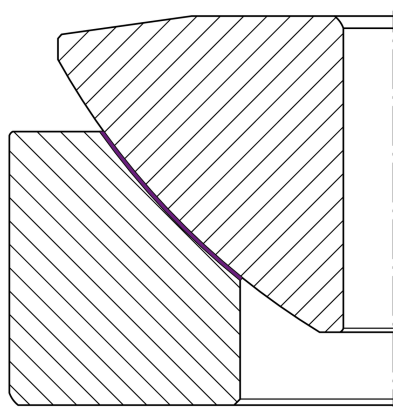
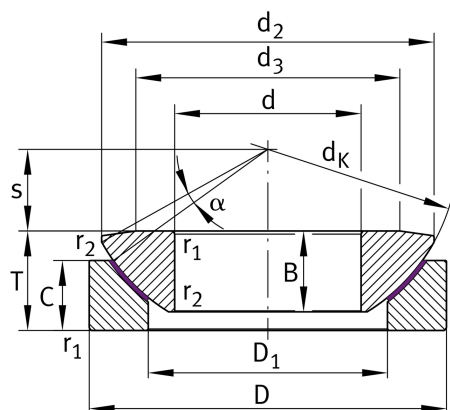
## GE25-AW

### Spherical plain bearing

Schaeffler ID:  
0066515180000

Axial spherical plain bearing, maintenance-free, DIN ISO 12240-3, shaft location washer curved surface with hard chromium coating, open design

### Technical information



### Main Dimensions & Performance Data

d	25 mm	Bore diameter bearing
D	62 mm	Outside diameter bearing
T	22.5 mm	Height
B	16 mm	Width Inner ring
$C_a$	388,000 N	Basic dynamic load rating, axial
$C_{0a}$	646,000 N	Basic static load rating, axial
	0.377 kg	Weight

### Dimensions

$d_K$	66 mm	Ball diameter
$d_2$	57.5 mm	Outer eye diameter
$d_3$	45 mm	Front surface diameter of shaft washer
$D_1$	34.5 mm	Bore diameter of housing washer
C	17 mm	Width Outer ring
s	14 mm	Plane Surface Spacing
$\alpha$	7 °	Tilt angle
$d_{OT}$	0 mm	Bore diameter bearing, upper tolerance
$d_{UT}$	-0.01 mm	Bore diameter bearing, lower tolerance
$D_{OT}$	0 mm	Outside diameter, upper tolerance
$D_{UT}$	-0.013 mm	Outside diameter, lower tolerance
$T_{OT}$	0 mm	Height, upper tolerance
$B_{OT}$	0 mm	Width inner ring, upper tolerance
$T_{UT}$	-0.4 mm	Height, lower tolerance
$B_{UT}$	-0.24 mm	Width inner ring, lower tolerance
$C_{OT}$	0 mm	Width outer ring, upper tolerance

**Mounting dimensions**

$r_{1\text{min}}$	1 mm	Edge Spacing
$r_{2\text{min}}$	0.3 mm	Edge Spacing
$d_{a\text{max}}$	45 mm	Connection measure Inner ring
$D_{a\text{min}}$	39 mm	Housing Connection Diameter

**Temperature range**

$T_{\text{min}}$	-50 °C	Operating temperature min.
$T_{\text{max}}$	150 °C	Operating temperature max.